

Hygienisk Butterfly Ventil

Clamp Ender

- ISO 1" 1.5" 2" 2.5" 3" 4"
- DIN 25, 32, 40, 50, 65, 80, 100, 125

Sveiseende

- ISO 1" 1.5" 2" 2.5" 3" 4"
- DIN 25, 32, 40, 50, 65, 80, 100, 125, 150, 200

Aktuator

- ISO 1" 1.5" 2" 2.5" 3" 4"
- DIN 25, 32, 40, 50, 65, 80, 100, 125, 150

Pakning (EDPM / FKM-VITON)

- ISO 1" 1.5" 2" 2.5" 3" 4"
- DIN 25, 32, 40, 50, 65, 80, 100, 125, 150



Det leveres Hygieniske butterfly ventiler tilpasset de normene som er angitt i tabellene under.

SMS rustfritt/syrefaste hygieniske rør

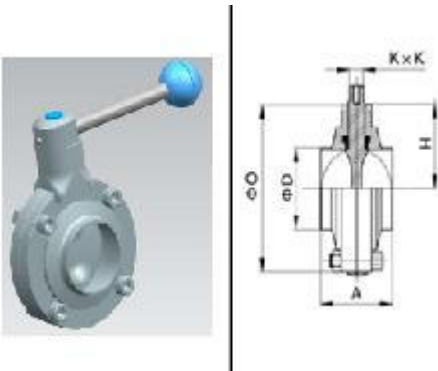
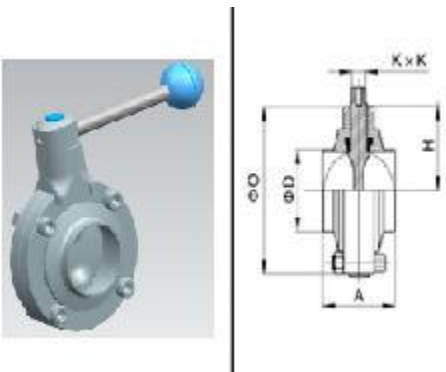
DIN 11866 rustfrie/syrefaste hygieniske rør

Størrelse	Ytre diameter mm	Tykkelse mm
1"	25,0	1,20
1 1/4"	32,0	1,20
1 1/2"	38,0	1,20
2"	51,0	1,20
2 1/2"	63,5	1,60
3"	76,1	1,60
4"	101,6	2,00

Størrelse	Ytre diameter mm	Tykkelse mm
DN25	29,0	1,50
DN32	35,0	1,50
DN40	41,0	1,50
DN50	53,0	1,50
DN65	70,0	2,00
DN80	85,0	2,00
DN100	104,0	2,00

DIN EN ISO1127 rustfrie/syrefaste hygieniske rør

Størrelse	Ytre diameter mm	Tykkelse mm
3/4"	26,9	1,60
	33,7	2,00
1 1/4"	42,4	2,00
1 1/2"	48,3	2,00
2"	60,3	2,00
	76,1	2,00
3"	88,9	2,00
4"	114,3	2,00

Drawing DIN STANDARD		Size	Diameter OD	kval	norm	Pris.nton
	DN10		AISI316/1:4404	DIN	kr 442.00	
	DN15		AISI316/1:4404	DIN	kr 442.00	
	DN20		AISI316/1:4404	DIN	kr 442.00	
	DN25	29MM	AISI316/1:4404	DIN	kr 460.00	
	DN32	35MM	AISI316/1:4404	DIN	kr 420.00	
	DN40	41MM	AISI316/1:4404	DIN	kr 451.00	
	DN50	53,5MM	AISI316/1:4404	DIN	kr 595.00	
	DN65	70MM	AISI316/1:4404	DIN	kr 723.00	
	DN80	85MM	AISI316/1:4404	DIN	kr 841.00	
	DN100	104MM	AISI316/1:4404	DIN	kr 1,125.00	
	DN125	104MM	AISI316/1:4404	DIN	kr 1,588.00	
	DN150		AISI316/1:4404	DIN	kr 2,142.00	
Drawing ISO-SMS-3A STANDARD		Size		SS316L		PRIS
	1/2"	21,3MM	AISI316/1:4404	ISO	kr 417.00	
	3/4"	26,9MM	AISI316/1:4404	ISO	kr 417.00	
	21.3	21,3MM	AISI316/1:4404		kr 417.00	
	1"	25MM	AISI316/1:4404	SMS	kr 417.00	
	26.9	26,9MM	AISI316/1:4404	ISO	kr 417.00	
	1.25"	42,4MM	AISI316/1:4404	ISO	kr 530.00	
	33.7	33,7MM	AISI316/1:4404	ISO	kr 530.00	
	1.5"	48,3MM	AISI316/1:4404	ISO	kr 533.00	
	42.4	42,4MM	AISI316/1:4404	ISO	kr 548.00	
	45		AISI316/1:4404		kr 548.00	
	48		AISI316/1:4404		kr 560.00	
	2"	50,8MM	AISI316/1:4404	SMS	kr 577.00	
	57	57MM	AISI316/1:4404	ISO	kr 581.00	
	60.3	60,3MM	AISI316/1:4404	ISO	kr 598.00	
	2.5"	76,1MM	AISI316/1:4404	SMS	kr 661.00	
	3"	88,9MM	AISI316/1:4404	ISO	kr 698.00	
	3.5"		AISI316/1:4404		kr 816.00	
	4"	101,6MM	AISI316/1:4404	SMS	kr 1,165.00	
	108		AISI316/1:4404		kr 1,198.00	
	114.3	114,3	AISI316/1:4404	ISO	kr 1,307.00	
	5"		AISI316/1:4404		kr 1,581.00	
	133		AISI316/1:4404		kr 1,581.00	
	6"		AISI316/1:4404		kr 2,162.00	
	159		AISI316/1:4404		kr 2,162.00	