

# FREE ROTATING CLEANERS



## PAGE INDEX

1. DN
2. SL-20
3. KX
4. FW
5. KZ
6. KZH
7. SG

## PRACTICAL INFO.

Every product is delivered with an assortment of different sized nozzles shown in the performance graphs below each product

## READ PRODUCT CODE

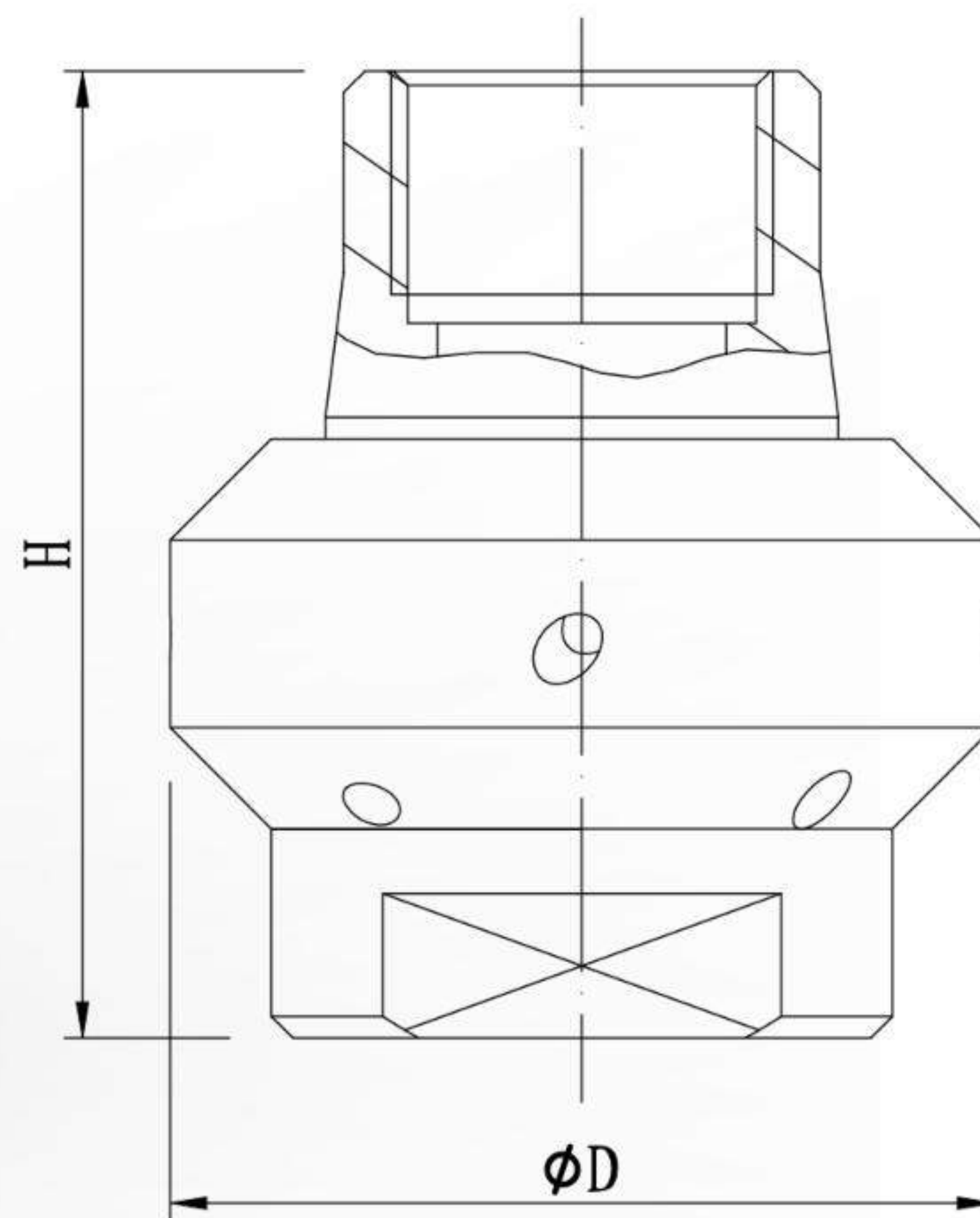
MODEL NUMBER OF NOZZLES NOZZLE SIZE  
D G - 1 5 - 4 - 6

## IMPORTANT TERMS

HT - High temperatures  
F - Explosion proof  
OT - Oil tolerant

# DN SERIES

## Free Rotating Cleaner

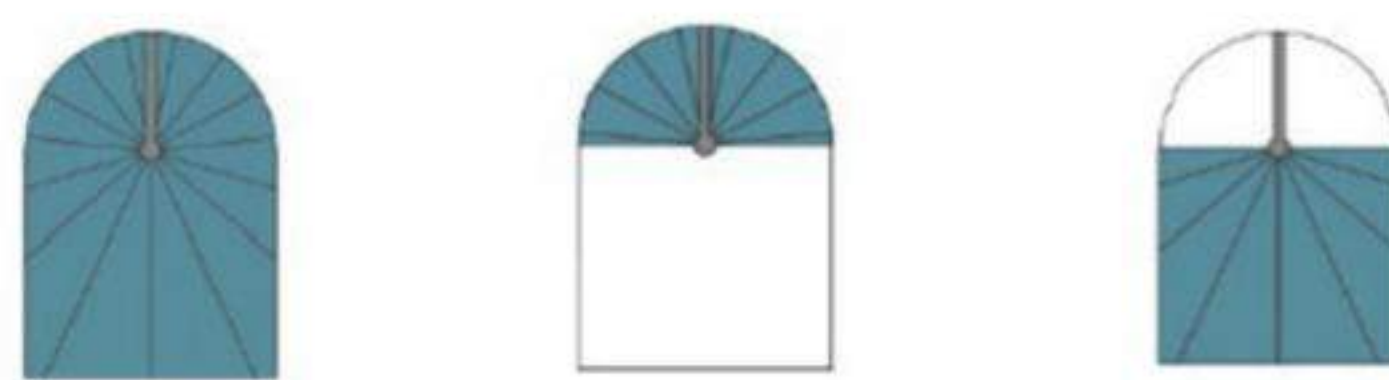


								
<b>3-93c°</b> TEMPERATURE	<b>1-3,5b</b> PRESSURE	<b>0,5-7,6m</b> TANK DIAMETER	<b>39-124mm</b> MIN. HATCH SIZE	<b>8</b> NOZZLES	<b>Ø1-8mm</b> NOZZLE SIZE	<b>1,4-48m<sup>3</sup>/h</b> 20-800 L/MIN	<b>3/8-3" BSPP/NTP</b> CONNECTION	<b>0,04-1 kg</b> WEIGHT

### DESIGN FEATURES

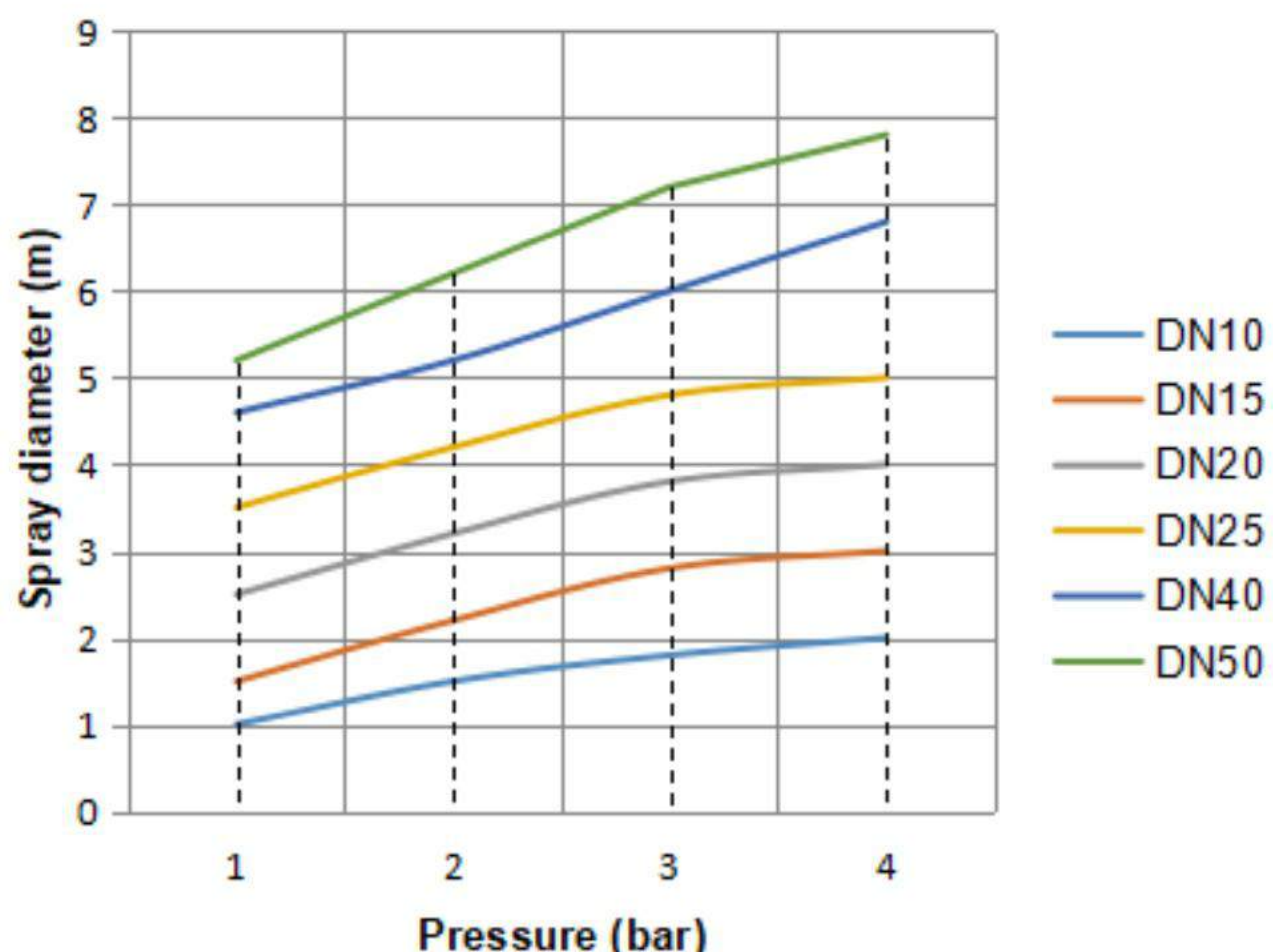
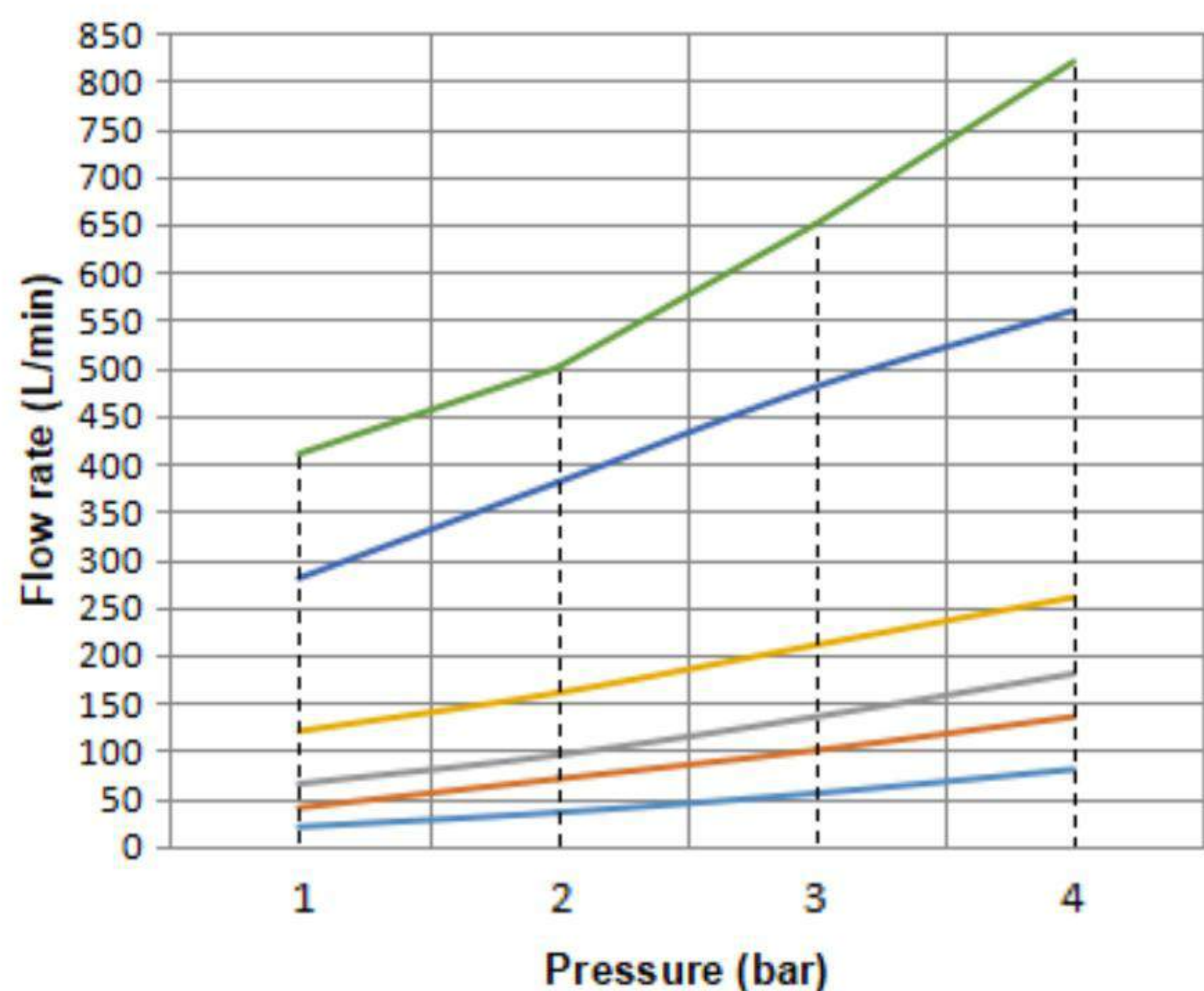
- High performance, even at low pressure
- Driven and lubricated by the washing fluid
- Mounting angle: Any direction
- Body: PTFE/Teflon
- Gaskets/bushings: PTFE/Teflon

### SPRAY PATTERN



### APPLICATION

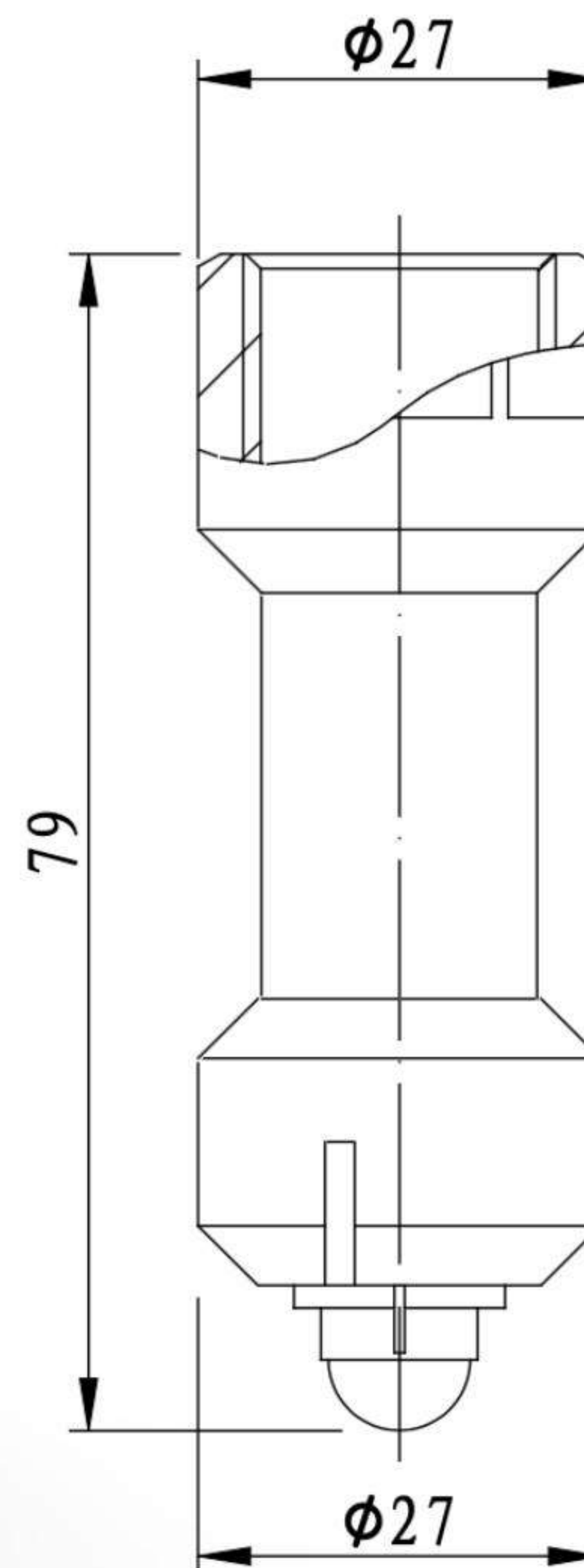
- Cleaning of small to large containers
- Commonly used in food, shipping and process industries
- Able withstand harsh chemicals



TerTech

# SL-20

## Free Rotating Cleaner



								
<b>3-60c°</b> TEMPERATURE	<b>1-2b</b> PRESSURE	<b>1-1,5m</b> TANK DIAMETER	<b>27mm</b> MIN. HATCH SIZE	<b>2</b> NOZZLES	<b>0,6mm</b> NOZZLE SIZE	<b>0,9-2,2m³/h</b> 16-38 L/MIN	<b>1/2" BSPP</b> CONNECTION	<b>0,03 kg</b> WEIGHT

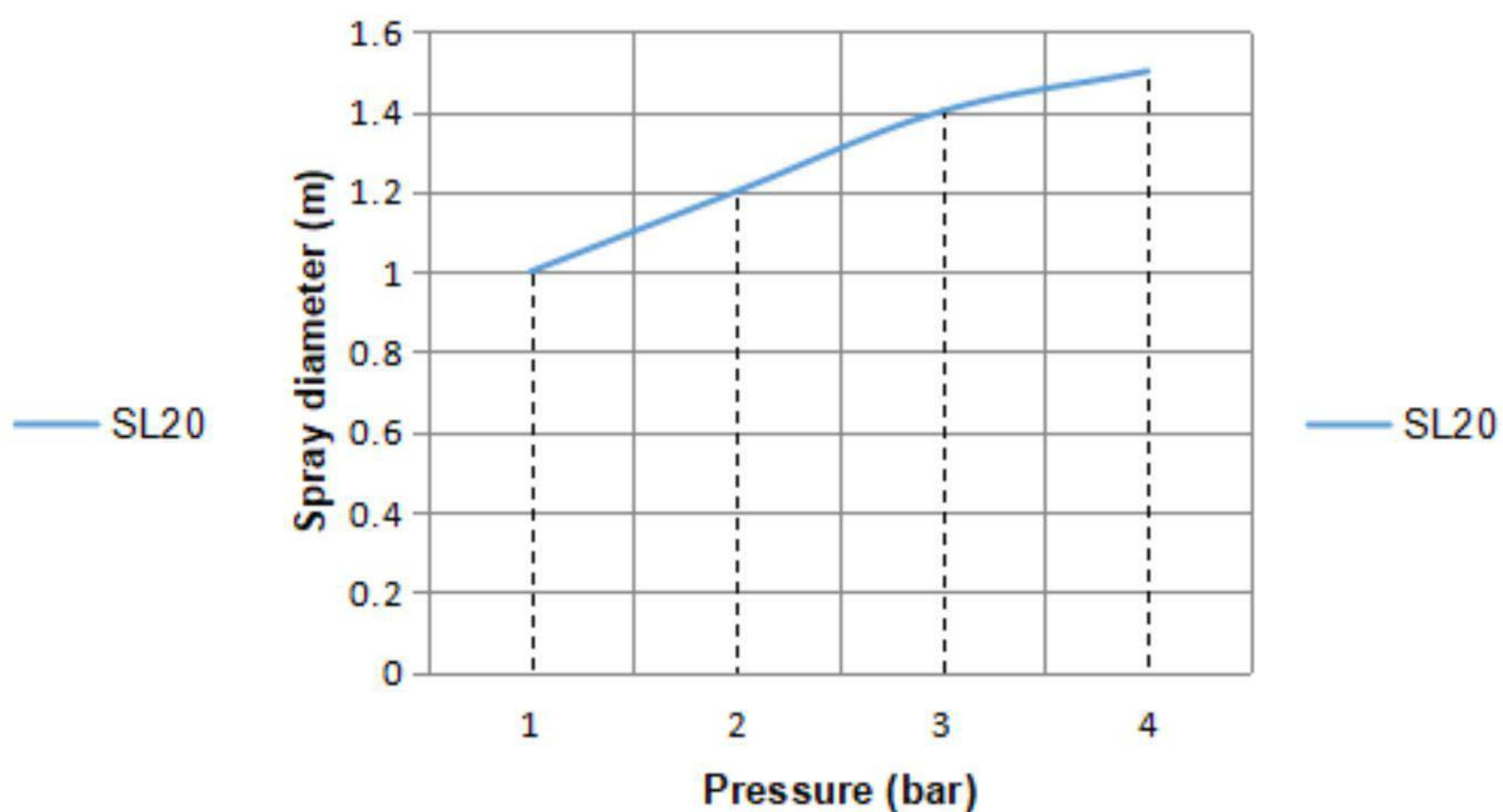
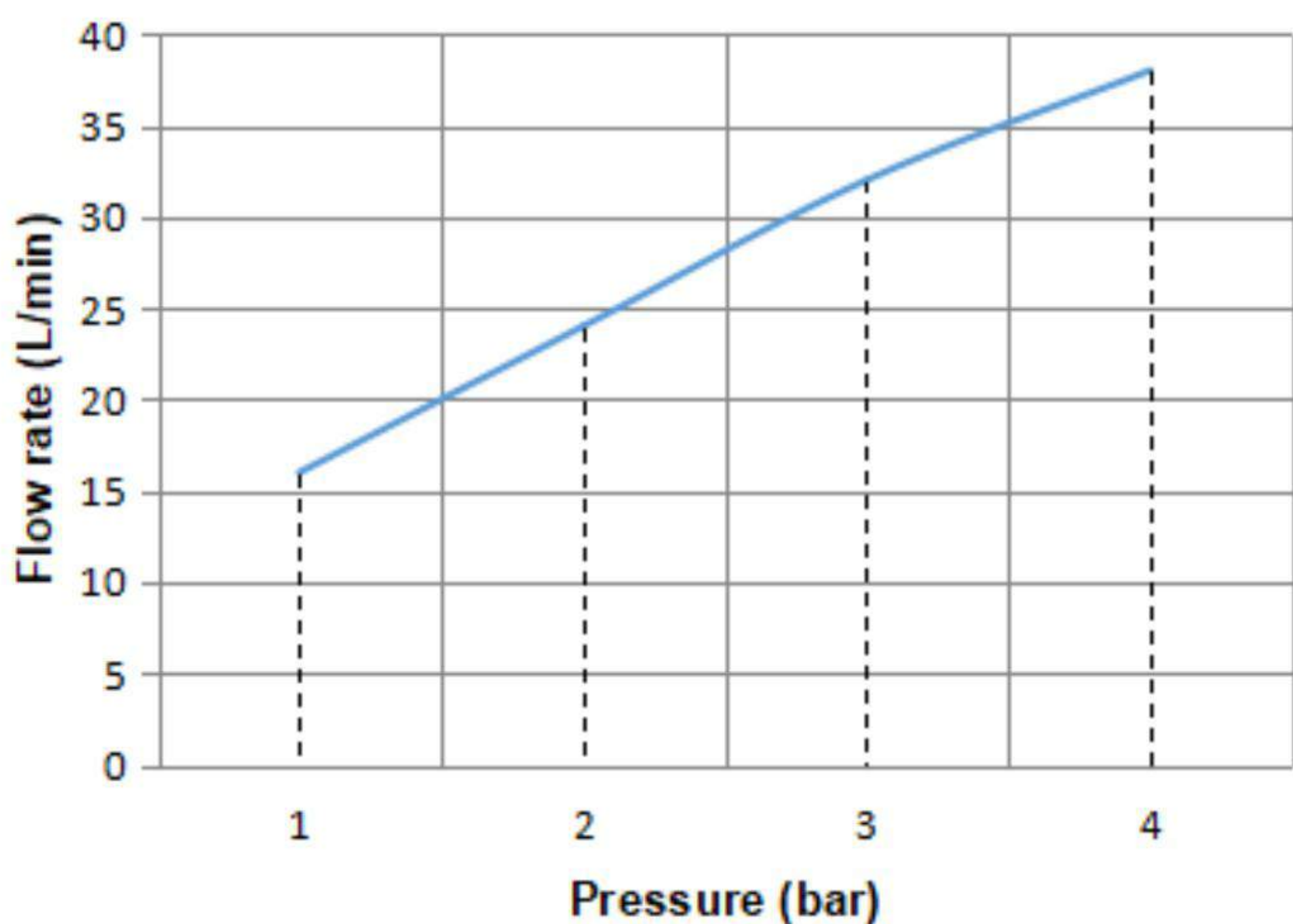
### DESIGN FEATURES

- High performance, even at low pressure
- Driven and lubricated by the washing fluid
- Mounting angle: Any direction
- Body: PP, PVDF on request
- Gaskets/bushings: PP, PVDF on request

### SPRAY PATTERN

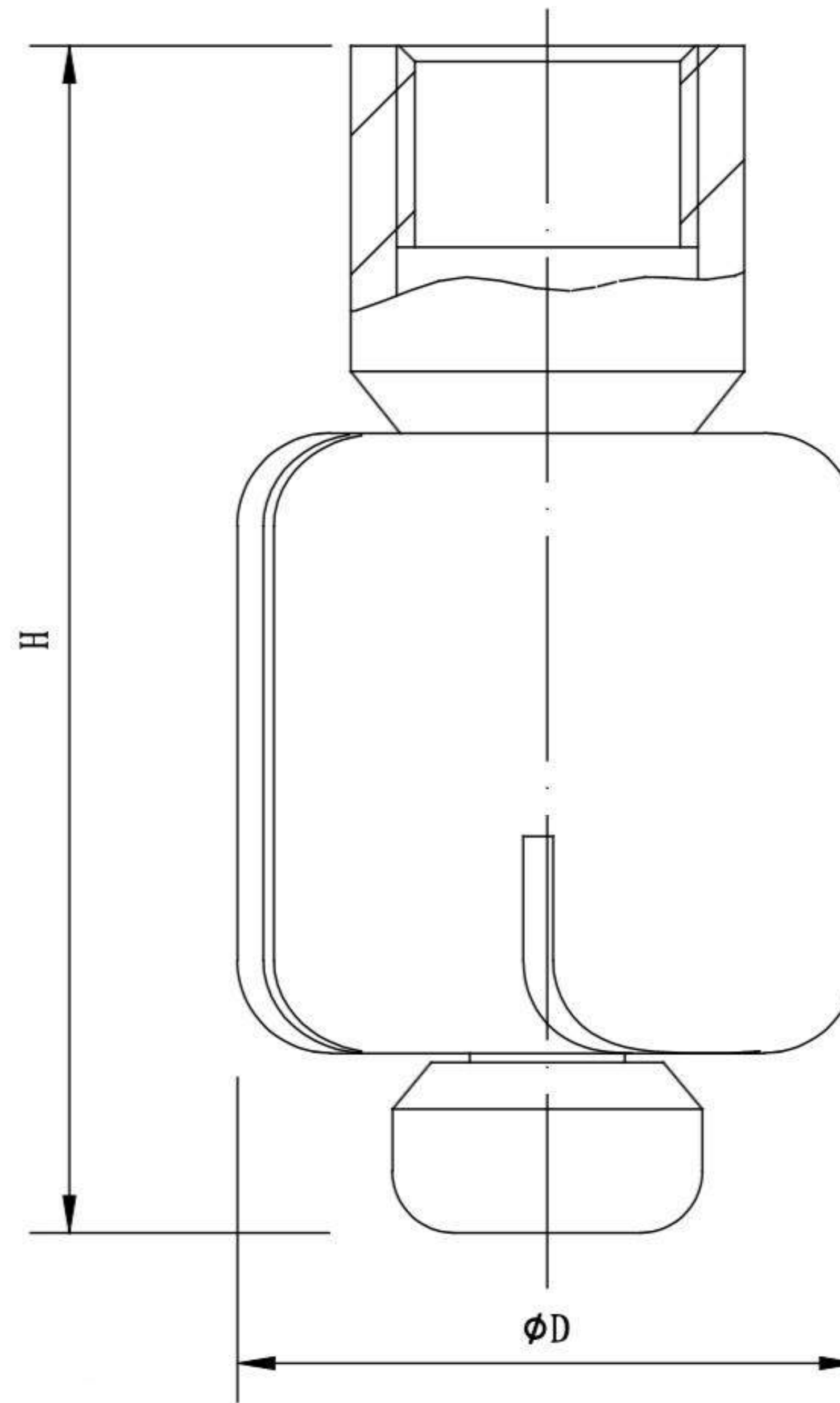
### APPLICATION

- Cleaning of small containers
- Commonly used in food, shipping and process industries
- Able withstand harsh chemicals



# KX SERIES

Free Rotating Cleaner



								
<b>3-140c°</b> TEMPERATURE	<b>1-2b</b> PRESSURE	<b>1-1,5m</b> TANK DIAMETER	<b>20-30mm</b> MIN. HATCH SIZE	<b>4</b> NOZZLES	<b>1mm</b> NOZZLE SIZE	<b>0,5-2,8m³/h</b> 8-48 L/MIN	<b>1/8-3/8" BSPP</b> CONNECTION	<b>0,035-0,12 kg</b> WEIGHT

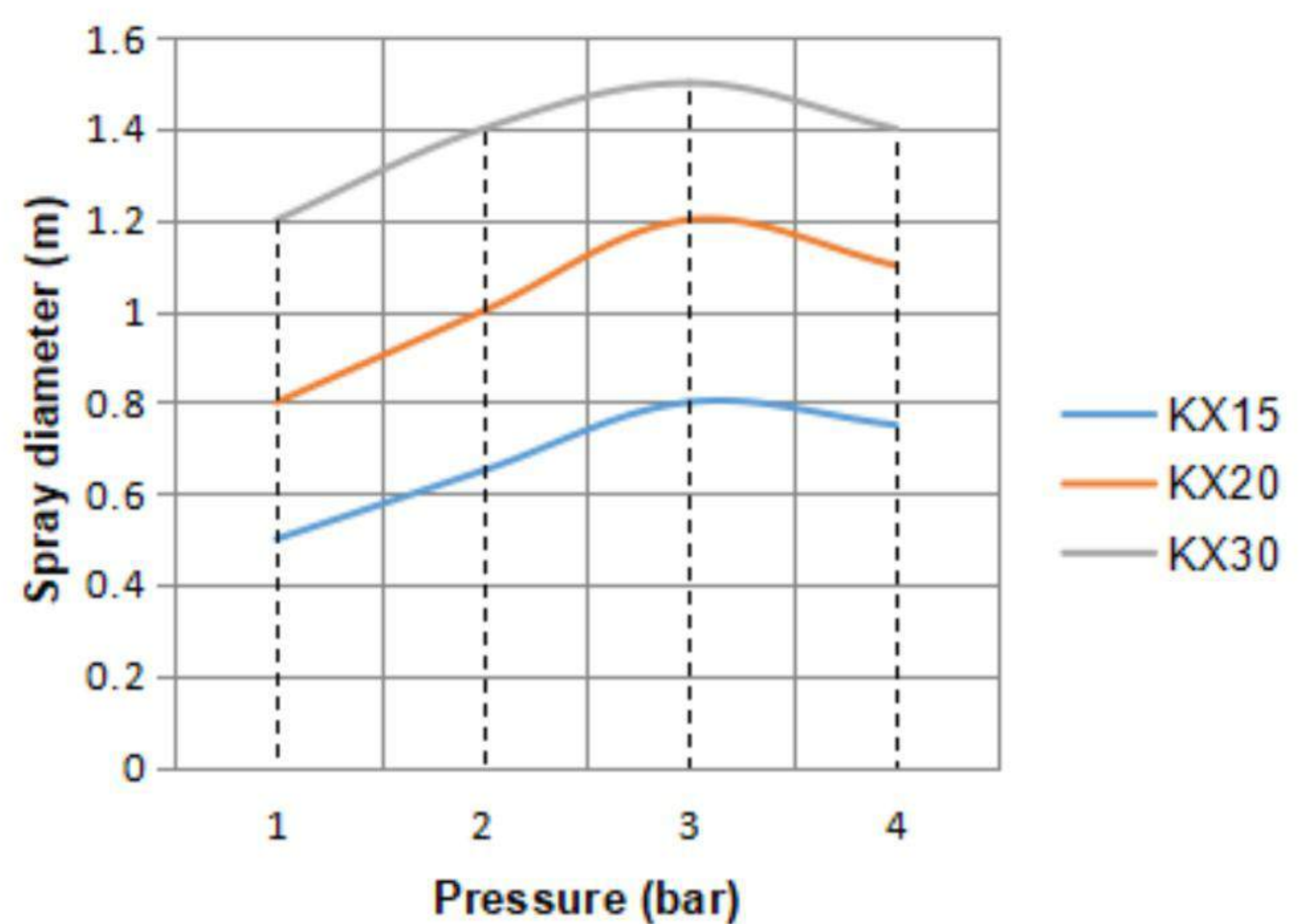
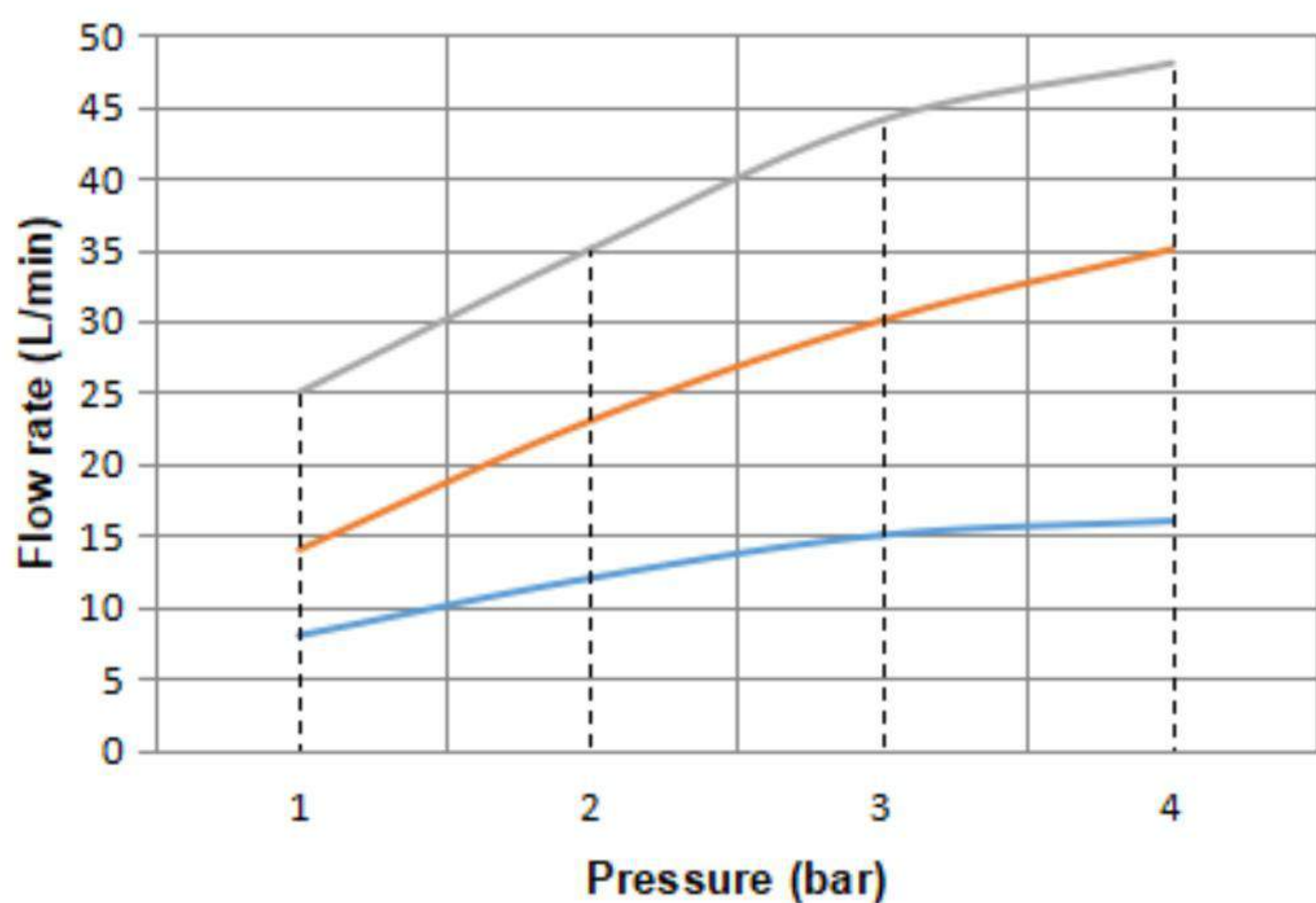
## DESIGN FEATURES

- High performance, even at low pressure
- Driven and lubricated by the washing fluid
- Mounting angle: Any direction
- Body: AISI 316 SS
- Gaskets/bushings: AISI 316 SS

## SPRAY PATTERN

## APPLICATION

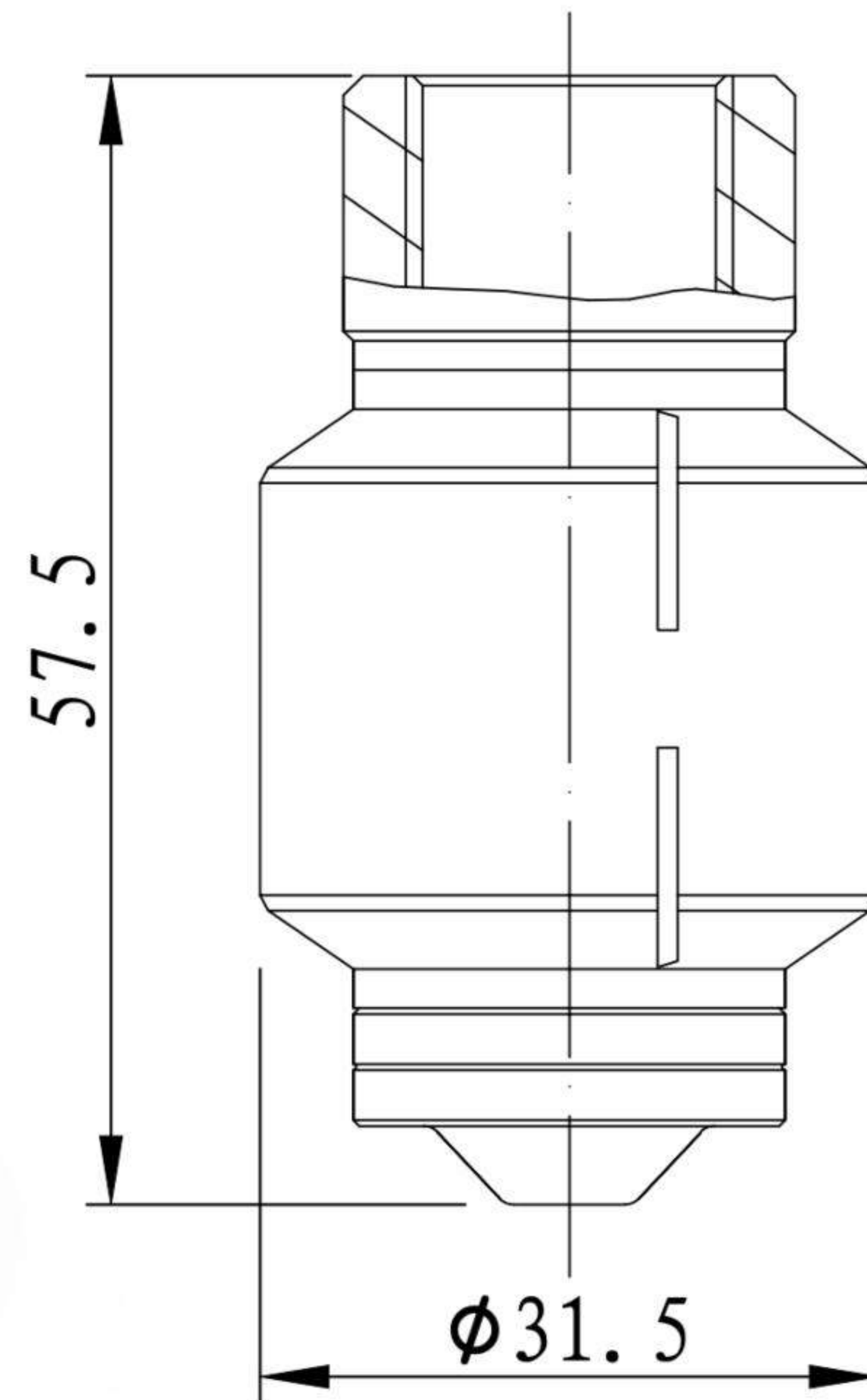
- Cleaning of small containers
- Commonly used in food, shipping and process industries
- Able withstand harsh chemicals



TerTech

# FW SERIES

## Free Rotating Cleaner



								
<b>3-100c°</b> TEMPERATURE	<b>1-5b</b> PRESSURE	<b>1-1,5m</b> TANK DIAMETER	<b>31,5-72mm</b> MIN. HATCH SIZE	<b>4</b> NOZZLES	<b>0,8mm</b> NOZZLE SIZE	<b>0,6-3,6m³/h</b> 10-60 L/MIN	<b>3/8-1/2" BSPP</b> CONNECTION	<b>0,15-0,5 kg</b> WEIGHT

### DESIGN FEATURES

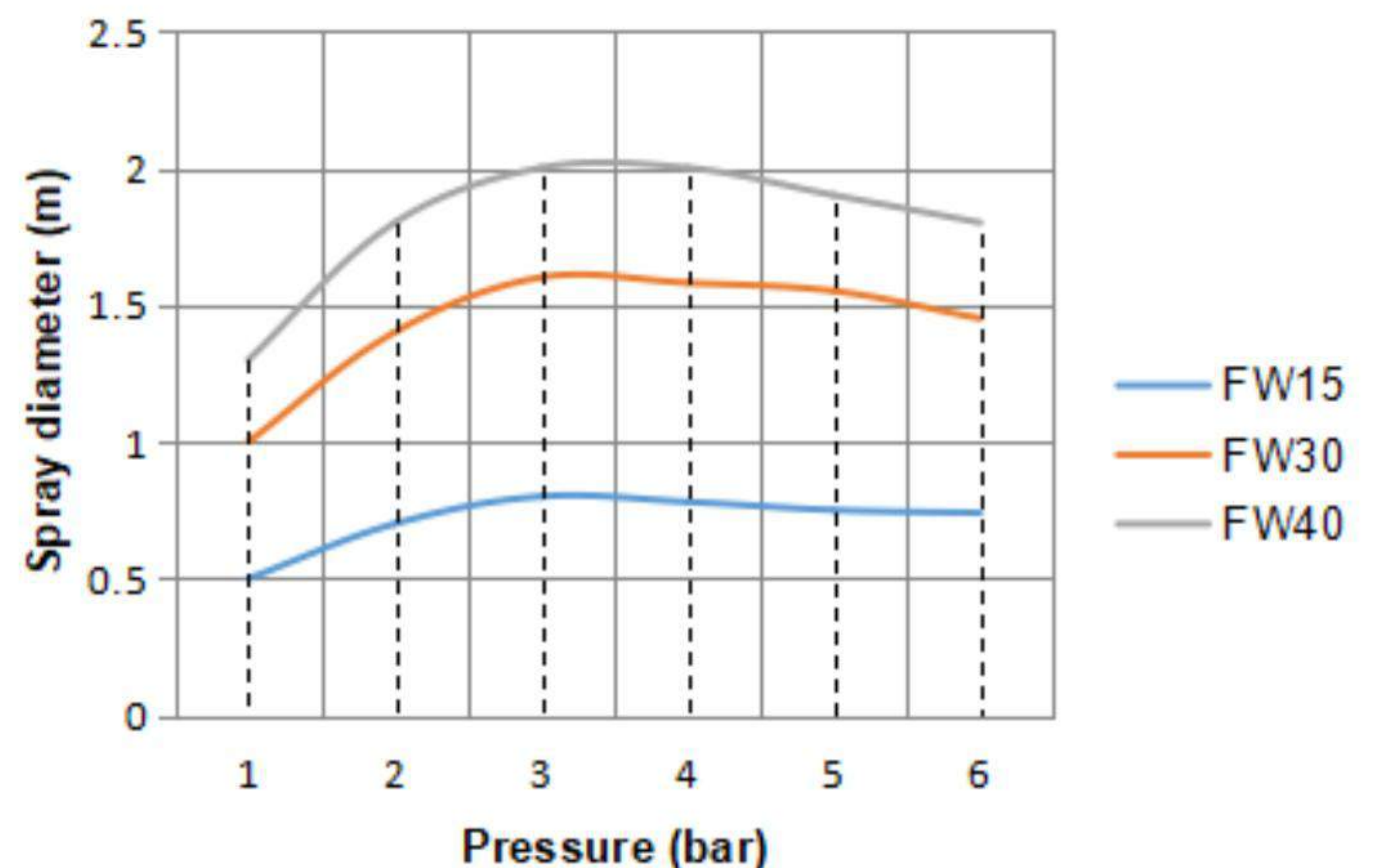
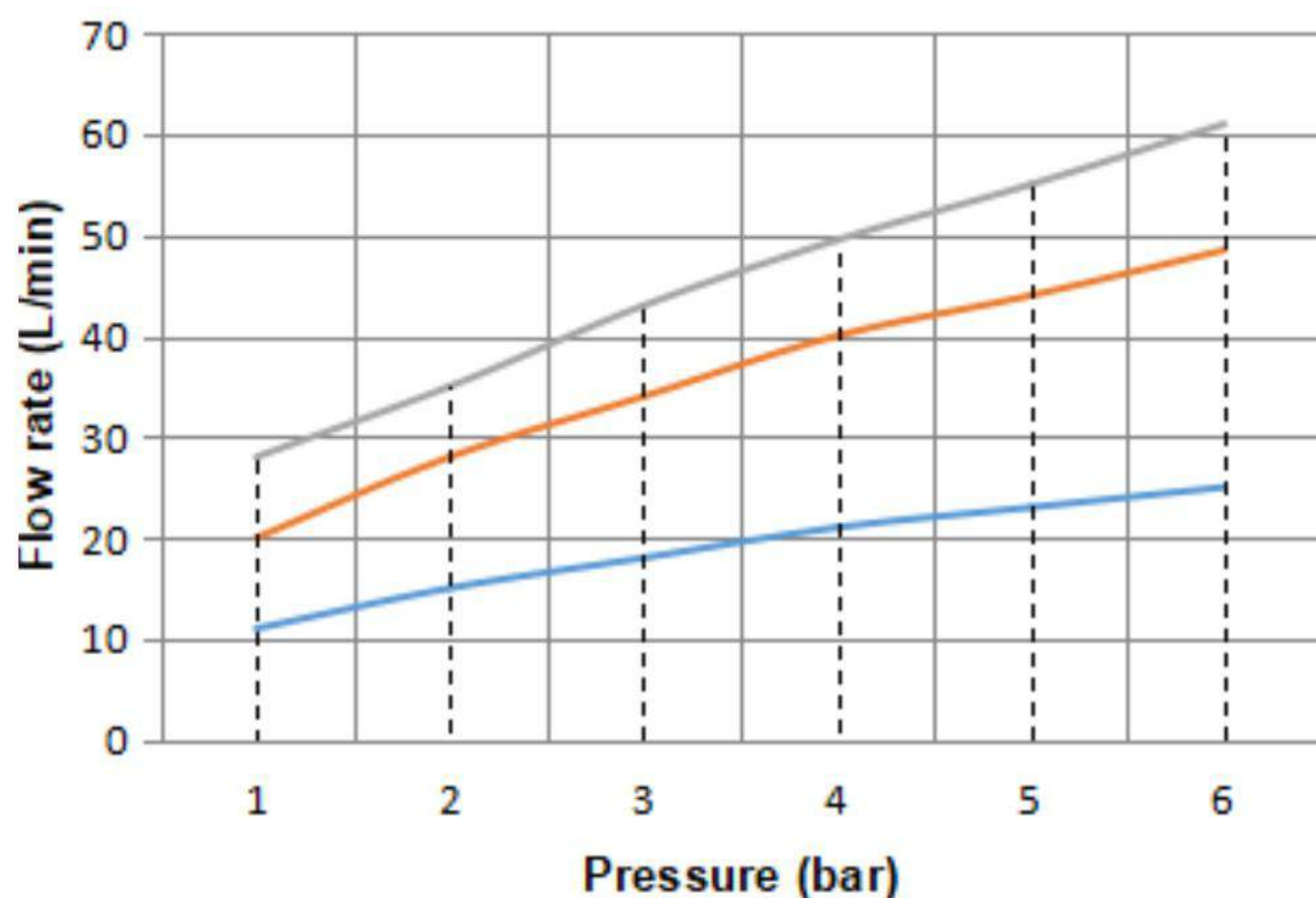
- High performance, even at low pressure
- Driven and lubricated by the washing fluid
- Low water/detergent consumption and slow rotation
- Mounting angle: Any direction
- Body: 316 SS
- Gaskets/bushings: 316 SS

### SPRAY PATTERN



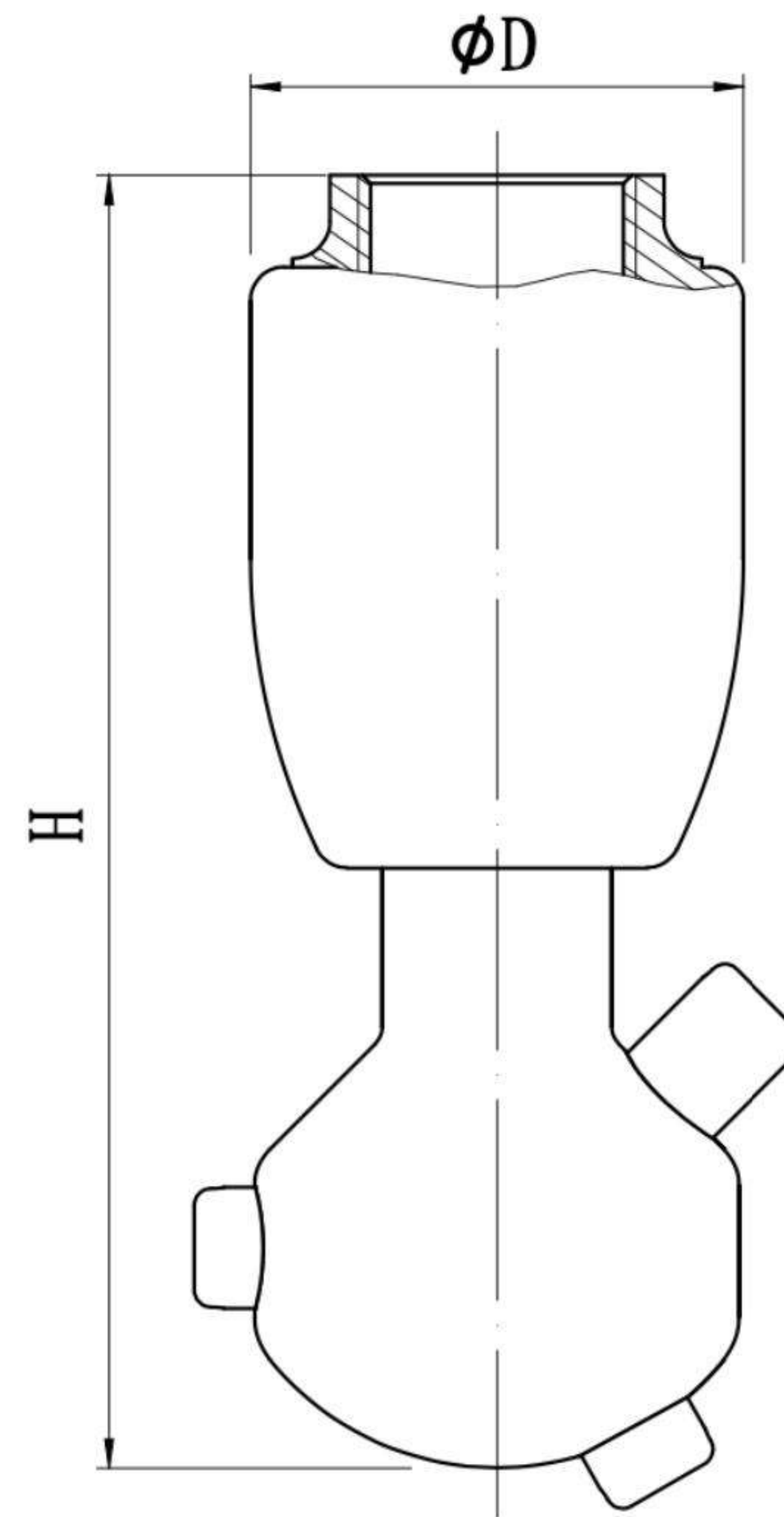
### APPLICATION

- Cleaning of small containers
- Commonly used in food, shipping and process industries
- Cleaning with foam/water for steam sterilisation
- Able withstand harsh chemicals



# KZ SERIES

## Free Rotating Cleaner

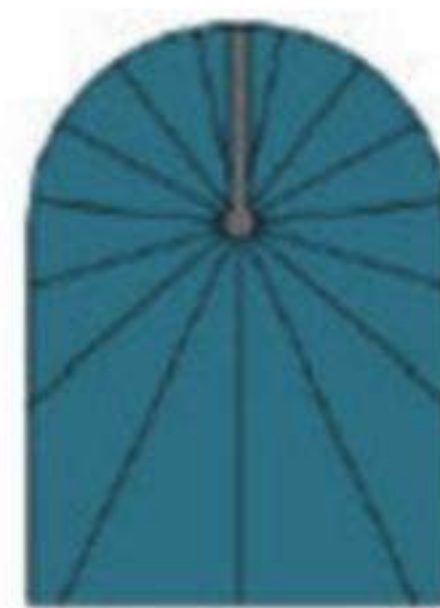


								
<b>3-100c°</b> TEMPERATURE	<b>3-10b</b> PRESSURE	<b>2-6m</b> TANK DIAMETER	<b>42-59mm</b> MIN. HATCH SIZE	<b>3</b> NOZZLES	<b>EXC.</b> NOZZLE SIZE	<b>1,8-8,2m³/h</b> 30-140 L/MIN	<b>1/2-1" BSPP</b> CONNECTION	<b>0,6-1,4 kg</b> WEIGHT

### DESIGN FEATURES

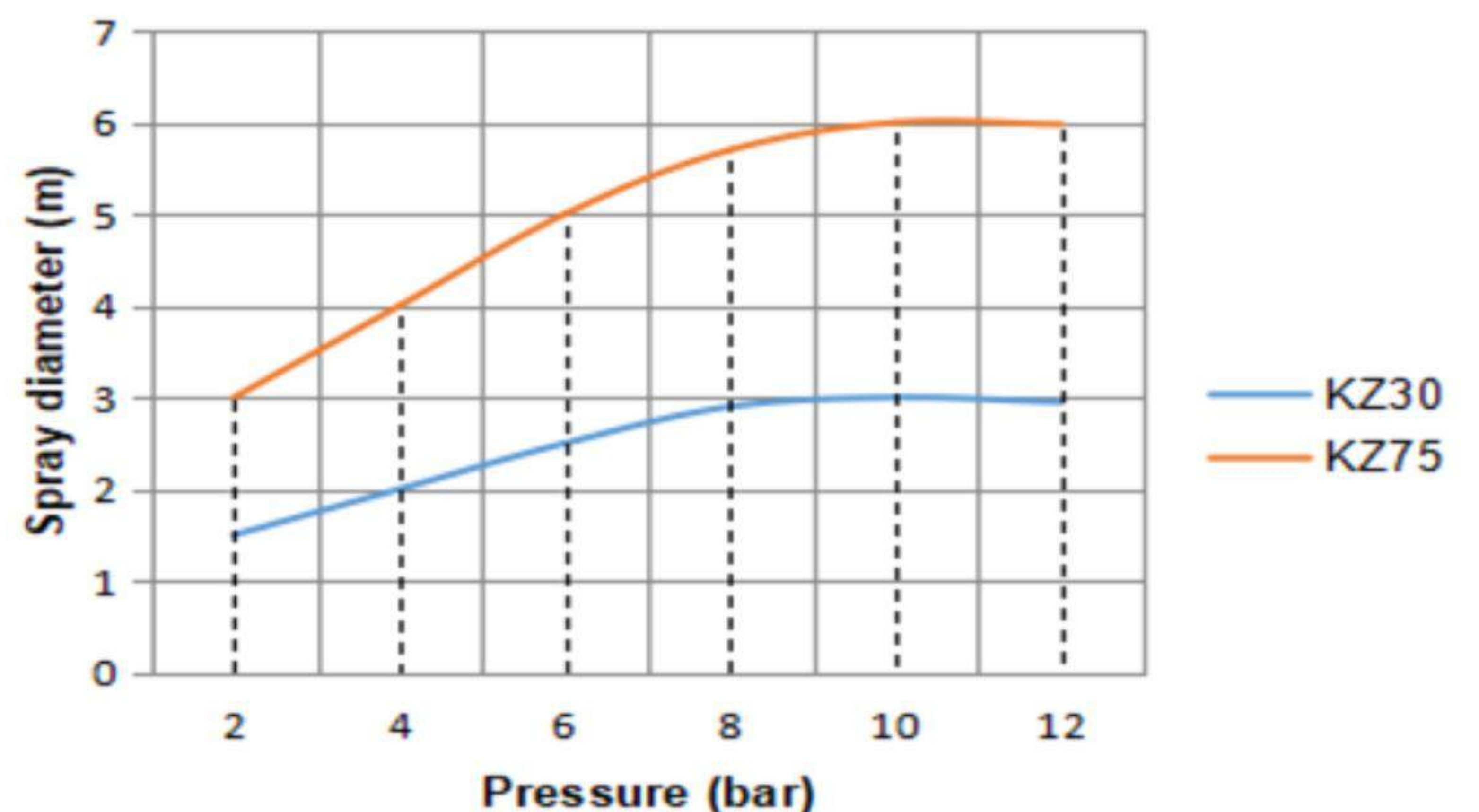
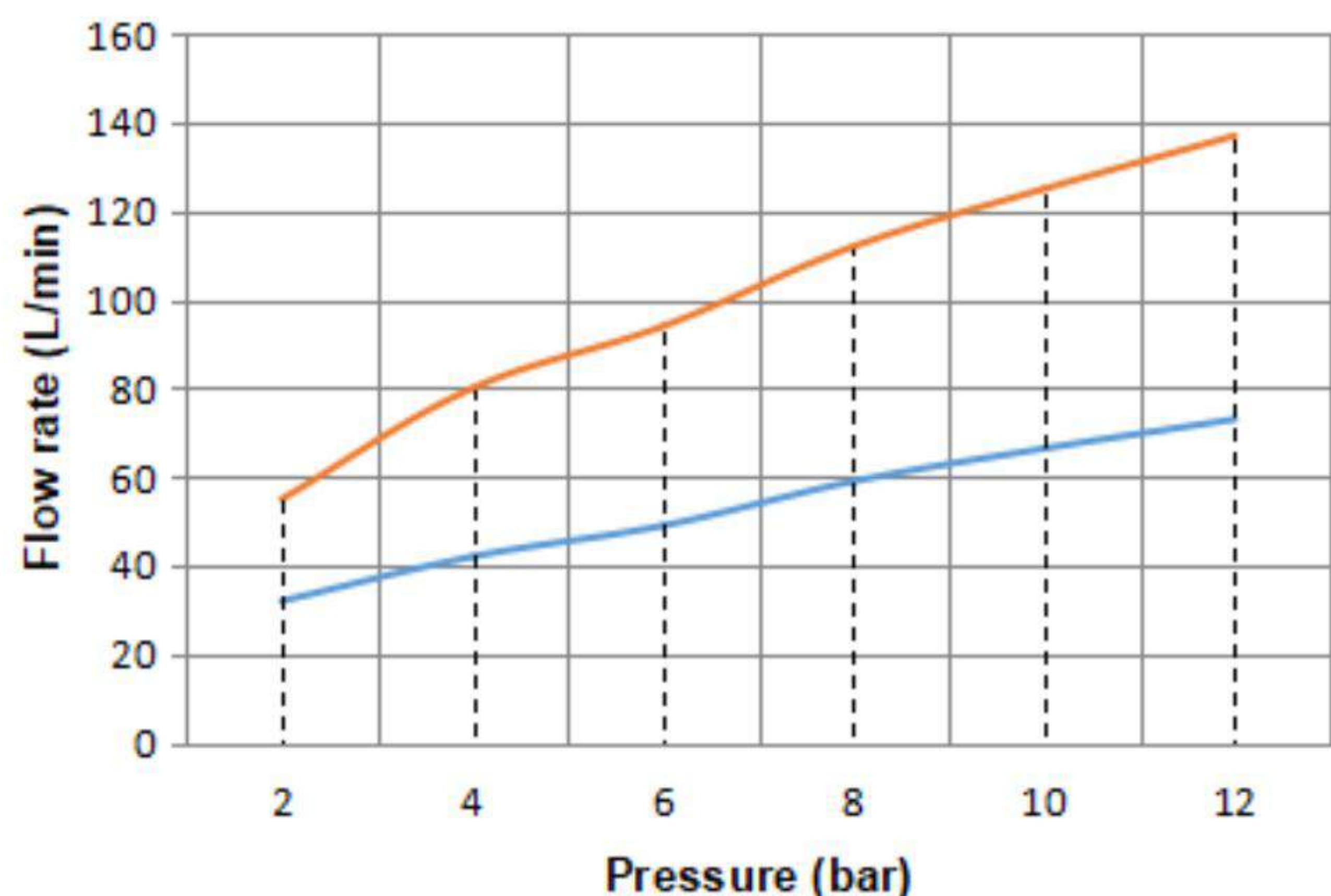
- High performance, even at low pressure
- Driven and lubricated by the washing fluid
- Controlled rotation with low wear sliding bearings
- Mesh filtration 80/100
- Mounting angle: Any direction
- Body: 316 SS
- Gaskets/bushings: 316 SS

### SPRAY PATTERN



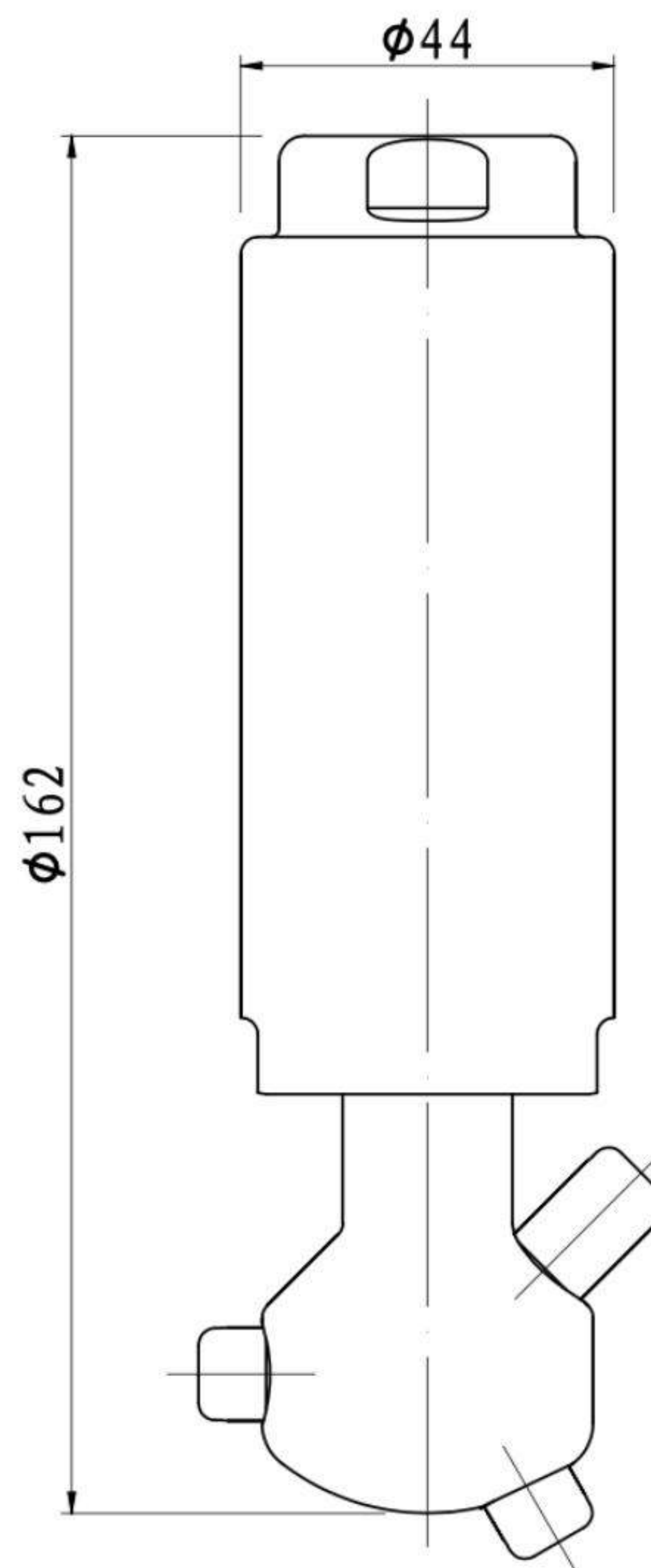
### APPLICATION

- Cleaning of small to large containers
- Commonly used in food, shipping and process industries
- Cleaning with foam/water for steam sterilisation
- Able withstand harsh chemicals



# KZH SERIES

## Free Rotating Cleaner

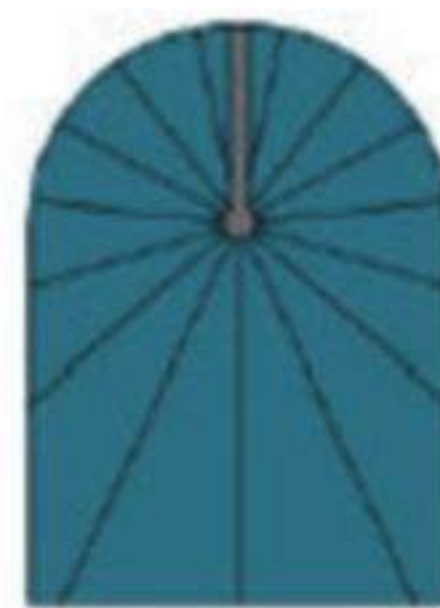


								
<b>3-90c°</b> TEMPERATURE	<b>3-30b</b> PRESSURE	<b>2-8m</b> TANK DIAMETER	<b>56-79mm</b> MIN. HATCH SIZE	<b>3</b> NOZZLES	<b>EXC.</b> NOZZLE SIZE	<b>3-15m<sup>3</sup>/h</b> 50-250 L/MIN	<b>1/2-1" BSPP</b> CONNECTION	<b>1,3-2,8 kg</b> WEIGHT

### DESIGN FEATURES

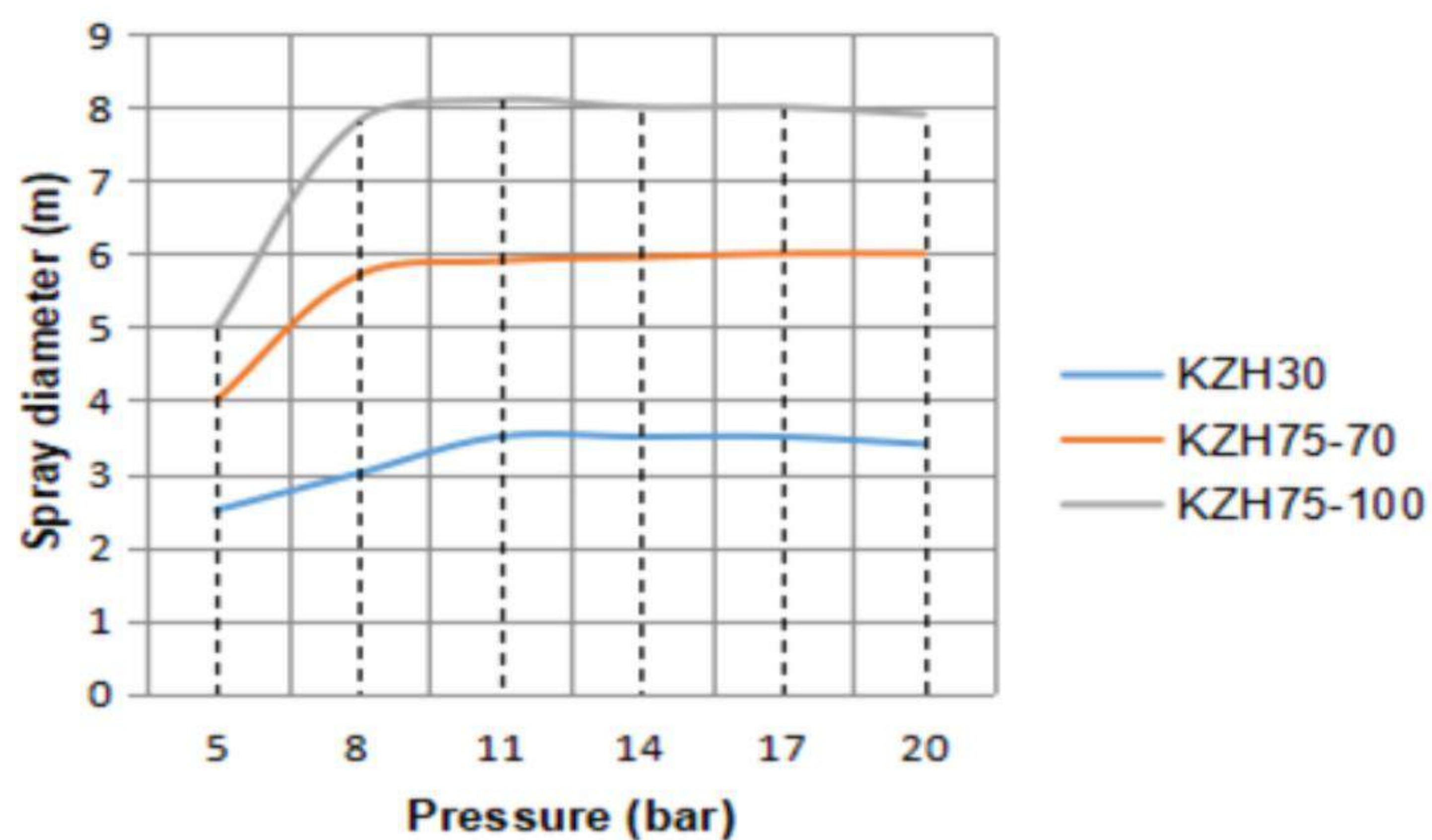
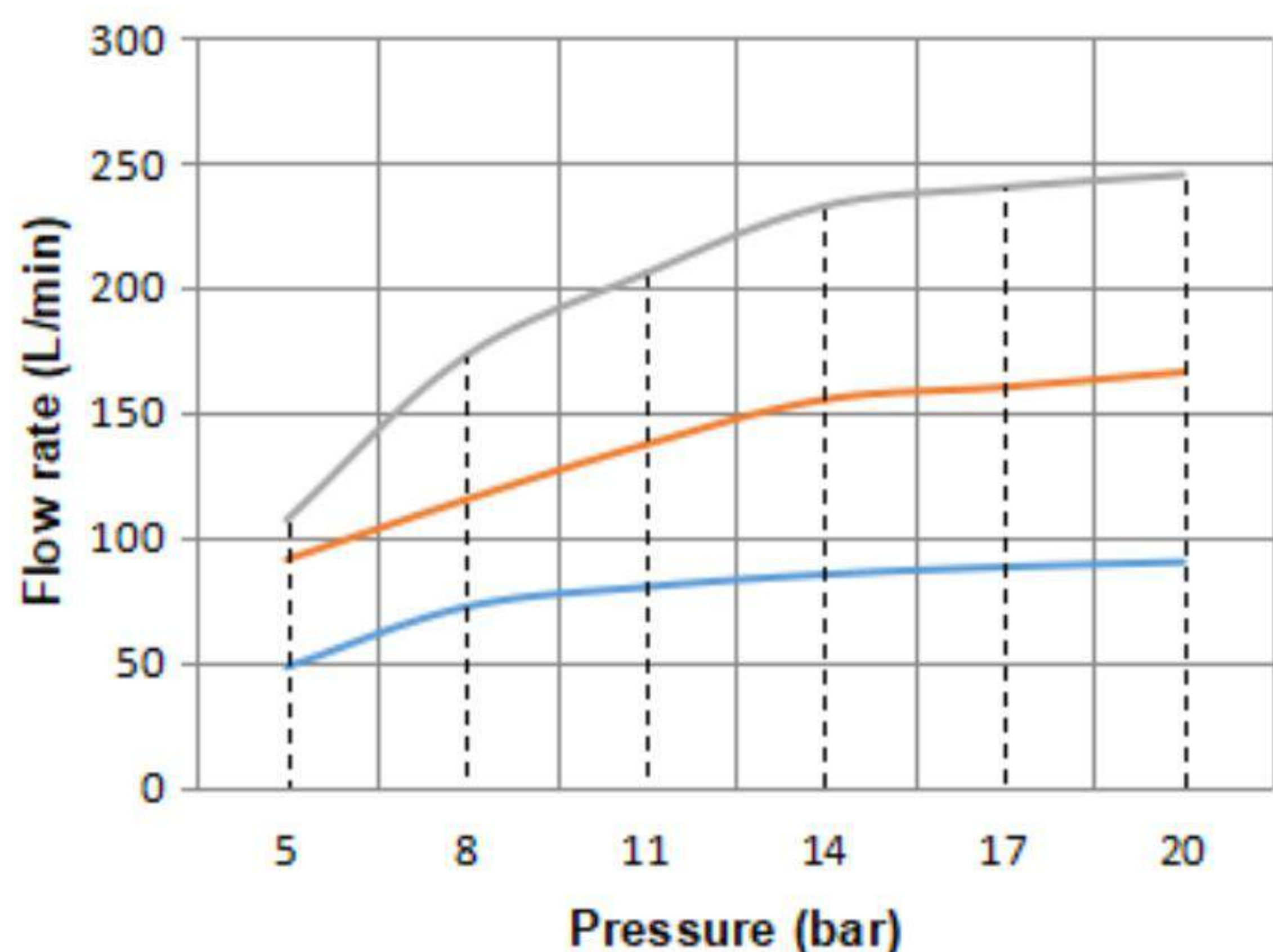
- High performance, even at low pressure
- Driven and lubricated by the washing fluid
- Controlled rotation with low wear sliding bearings
- Mesh filtration 80/100
- Mounting angle: Any direction
- Body: 316 SS
- Gaskets/bushings: 316 SS

### SPRAY PATTERN



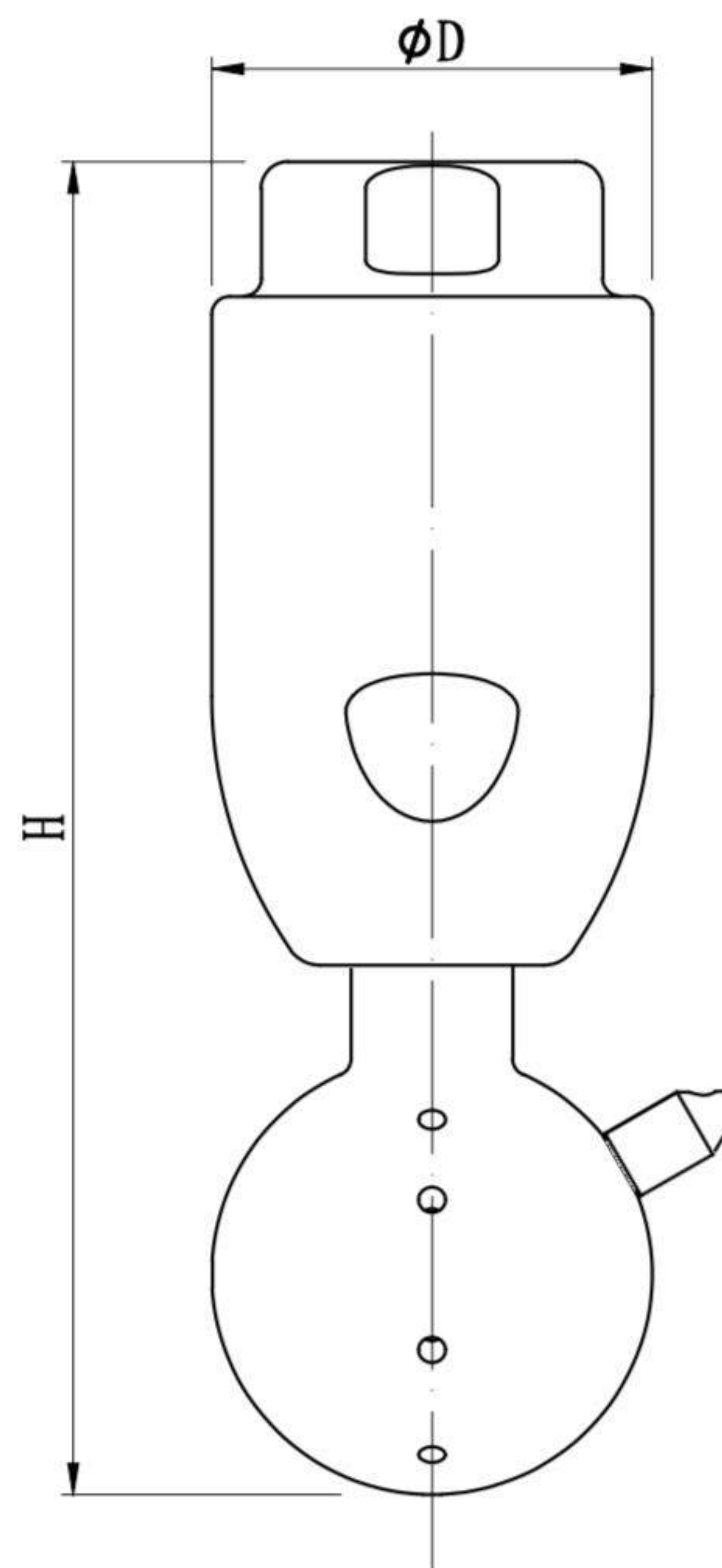
### APPLICATION

- Cleaning of medium to large containers
- Commonly used in food, shipping and process industries
- Cleaning with foam/water for steam sterilisation
- Able withstand harsh chemicals
- Available in HT, F and OT



# SG SERIES

## Free Rotating Cleaner

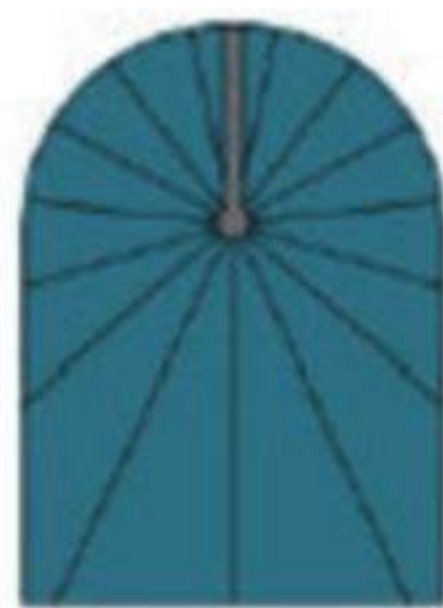


								
<b>3-95c°</b> TEMPERATURE	<b>3-10b</b> PRESSURE	<b>2-8m</b> TANK DIAMETER	<b>50-70mm</b> MIN. HATCH SIZE	<b>10</b> NOZZLES	<b>1mm</b> NOZZLE SIZE	<b>1,2-7,8m³/h</b> 20-130 L/MIN	<b>1/2-3/4" BSPP</b> CONNECTION	<b>0,5-1 kg</b> WEIGHT

### DESIGN FEATURES

- High performance, even at low pressure
- Driven and lubricated by the washing fluid
- Controlled rotation with low wear sliding bearings
- Mesh filtration 80/100
- Mounting angle: Any direction
- Body: 316 SS
- Gaskets/bushings: 316 SS

### SPRAY PATTERN



### APPLICATION

- Cleaning of small to medium containers
- Commonly used in food, shipping and process industries
- Cleaning with foam/water for steam sterilisation
- Able to withstand harsh chemicals
- Available in HT, F and OT

