

## JET CONTROLLER

JET controller is an electronic controller able to control a self-cleaning filter with 4 valves and is equipped with an LCD display and keypad to view and edit the parameters.



### CASE

Material:	ABS
Protection Class:	IP66 / EN60529
Dimensions:	200x120x80mm
Fixing:	With Brackets (included)

### I/O OVERVIEW

Power Supply:	230Vac - 50/60Hz - 150W
Pressure Input:	1 SPST Digital – 2 Analogic 4-20mA
Remote Control Input:	ON/OFF - PAUSE
Power Output:	4 SPDT 230Vac
Solenoid Valves Output:	4 SPST 24Vac
Status Signal Output:	Contr. ON - Alarm – Filtration - Washing

FEATURES

---

- Cleaning cycles at time intervals and/or diff. pressure (delta P)
  - o Time interval between cleaning cycles adjustable from 0 to 99 hours and 59 min.
  - o Single phase duration (FLUSH T) adjustable from 0 sec to 999 sec
  - o Number of max. consecutive cleaning cycles before alarm adjustable from 0 to 99.
- ON/OFF through the Keypad or remotely
- Possibility of operating valves and/or motors in sequence.
- Performed cleaning cycles counter
- Manually start the cleaning cycle
- Password-protected settings menu

**BOX-SIDE I/O OVERVIEW**


---

<b>Connector Name</b>	<b>Description</b>	<b>Type</b>
AC	Controller's power supply	230Vac
AC OUT	Outputs power supply	230Vac
OUT 1	Motor 1 and/or motorised valve 1	SPDT 230Vac
OUT 2	Motor 2 and/or motorised valve 2	SPDT 230Vac
OUT 3	Motor 3 and/or motorised valve 3	SPDT 230Vac
OUT 4	Motor 4 and/or motorised valve 4	SPDT 230Vac
ALL	Alarm Status Output	SPST N.O.
FILTR	Filtering Status Output	SPST N.O.
LAV	Washing Status Output	SPST N.O.
CENT.ON	Controller On Output	SPST N.O.
MAST.1	MASTER valve Output	SPST N.O.
ON/OFF	Remote switch Input	SPST N.O.
PAUSA	PAUSE Input	SPST N.O.

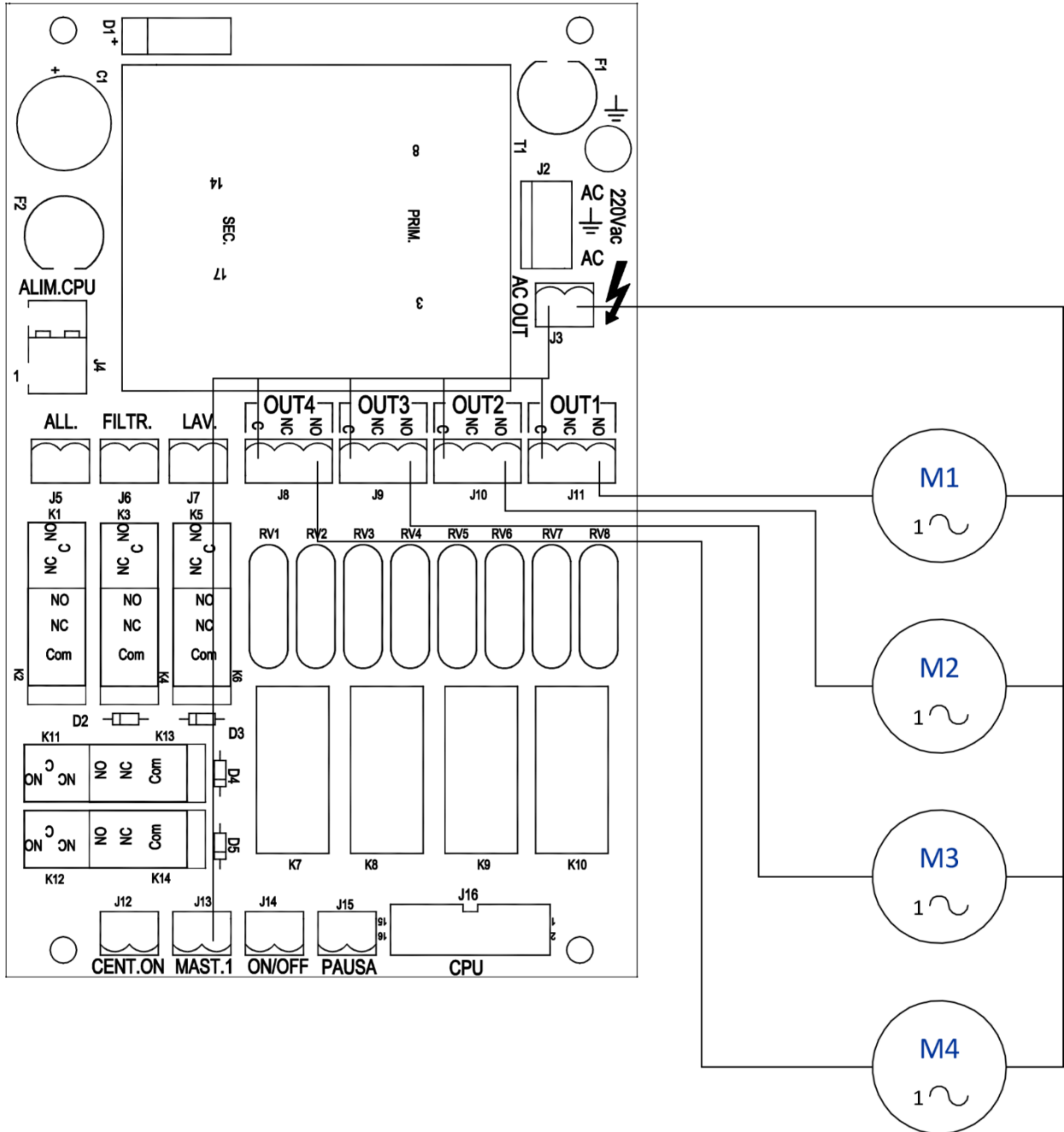
**COVER-SIDE I/O OVERVIEW**


---

<b>Connector Name</b>	<b>Description</b>	<b>Type</b>
+12V	Sensors' power supply	+12Vdc
GND	Ground	0
SD1	Outlet pressure Sensor	4-20mA
SD2	Inlet pressure Sensor	4-20mA
PRESS	Digital Press. Diff. sensor Input	SPST N.O.
RL1	Solenoid Valve 1 power supply	+24Vac
RL2	Solenoid Valve 2 power supply	+24Vac
RL3	Solenoid Valve 3 power supply	+24Vac
RL4	Solenoid Valve 4 power supply	+24Vac
COM	Solenoid Valve COMMON	0

ELECTRIC MOTORS WIRING DIAGRAM

The following diagram shows the typical wiring of asynchronous single-phase 230Vac electric motors. Up to 4 motors can be connected and each motor starts when the relative Output is excited.

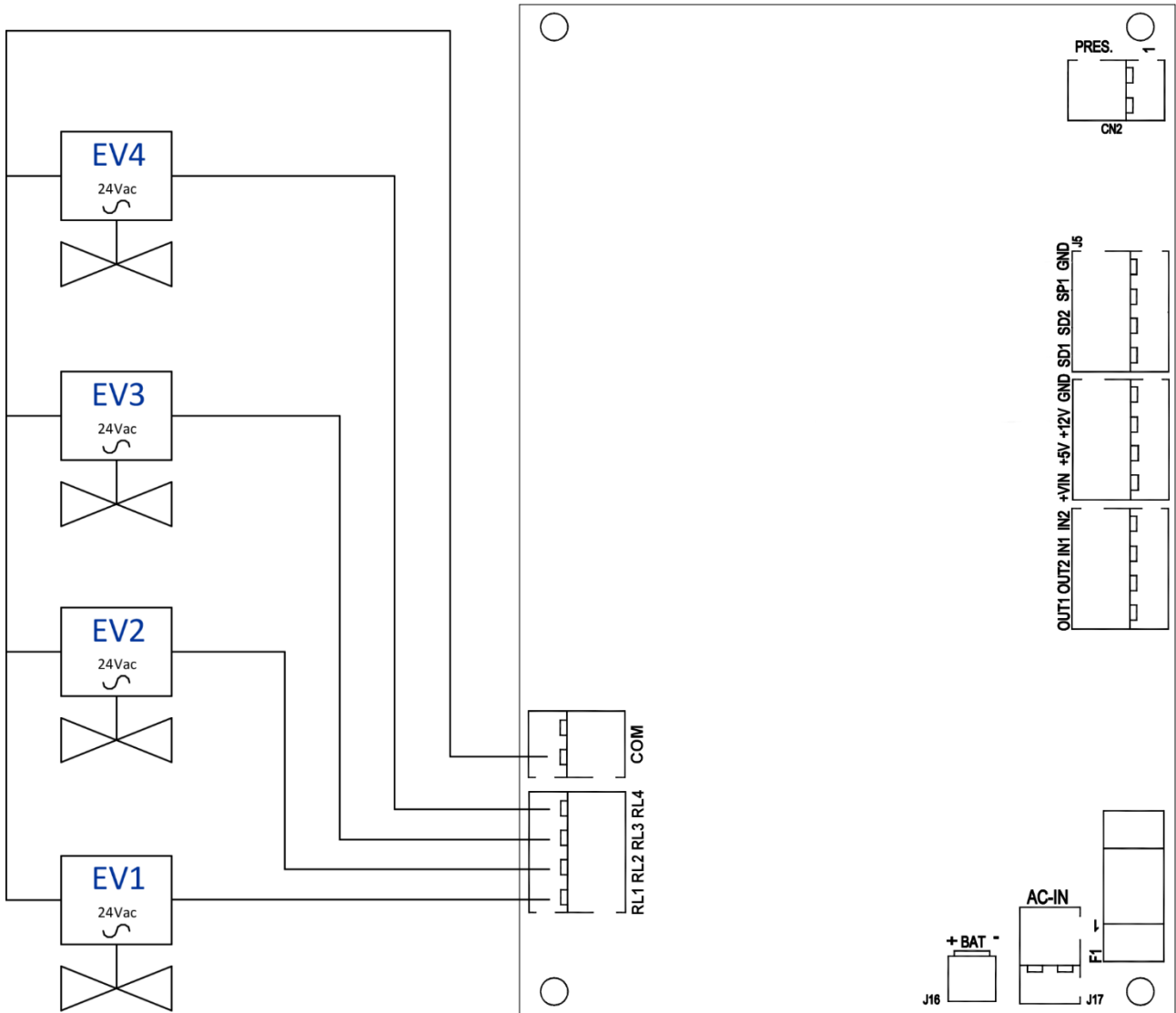


24VAC SOLENOID VALVES WIRING DIAGRAM

The following diagram shows the typical wiring of 24Vac Solenoid Valves.

Up to 4 Solenoid Valves can be connected.

The outputs 1-2-3-4 are excited simultaneously to the relative outputs OUT 1-2-3-4



**PRESSURE SENSORS WIRING DIAGRAM**

The following diagram shows the wiring of the analogic pressure sensors and/or digital differential pressure sensor.

The controller is prepared to read analogic pressure sensors with 4-20mA output.

SD1 = INLET Connection Sensor

SD2 = OUTLET Connection Sensor

